

# D5-Tube / D5-Ceiling Data Sheet

## D5-Tube / Ceiling

Ultra Compact 2-way  
Coaxial System for  
Installations



The CODA D5-Tube / D5-Ceiling is designed without compromise to provide a true one point source in an ultra compact package.

### D5-Tube / D5-Ceiling Features

- ⊕ Ultra compact 2-way coaxial system
- ⊕ Frequency range: 90 Hz – 21 kHz (-6 dB)
- ⊕ Power handling of 125 W (AES)
- ⊕ Ultra low distortion 5"/1" coaxial loudspeaker
- ⊕ Single point source system providing coherent wave front
- ⊕ Superb quality sound
- ⊕ Attractive solid aluminium design
- ⊕ U-bracket included (D5-Tube only)
- ⊕ System integration with LINUS Loudspeaker Management Amplifiers

The aluminium cabinet contains a high power 5" woofer and a coaxially mounted ring diaphragm compression driver with 44.4 mm voice coil. The advanced design aligns the acoustical centres of the transducers to produce a single point source. This unique loudspeaker technology provides a coherent wave front without hot spots. Precise directivity of 90° conical ensures uniform coverage with perfect time alignment between the components.

Supported with a full range of mounting and flying accessories the D5-Ceiling sets a state of the art solution for almost any high quality, near field installed sound reinforcement applications. Two M6 threaded points, the included U-Bracket and the additional M8 threaded point at the rear of the cabinet allow various fixing possibilities. The solid aluminium enclosure delivers elegant design and durability.

Combined with the U12-Sub low frequency extension for mobile applications, or U12i-Sub for fixed installations, the frequency response is extended down to 40 Hz.

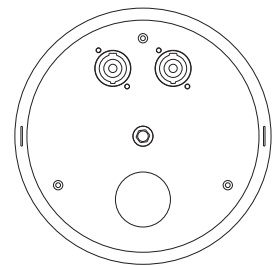
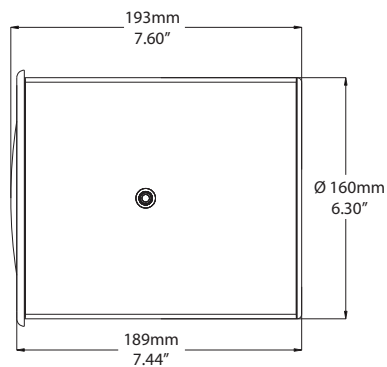
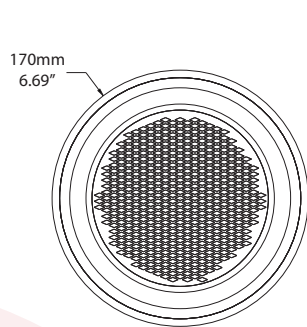


# D5-Tube / D5-Ceiling Data Sheet



Product type:	Ultra compact 2-way coaxial system for installations
Frequency response:	90 Hz – 21 kHz (-6 dB)
Power handling AES:	125 W
Program power:	250 W
Peak power:	500 W
Sensitivity:	91 dB
Max. peak SPL*:	117 dB
Dispersion:	90° conical
Components Low frequency:	5" woofer, 1.5" (38 mm) VC, 120 W (AES)
Components Mid/High frequency:	1" coaxially mounted driver, 1.75" (44.4 mm) VC, 80 W (AES)
Crossover point:	1600 Hz passive
Input connectors:	2x Neutrik™ NL4MP
Nominal impedance LF / MF+HF:	16 Ω (1+/1-)
Enclosure material:	Solid aluminium (all RAL-colours optional)
Suspension:	2x M6, 1x M8 threaded points for use with optional U-bracket
IP rating options (IEC 60529):	Standard IP13
Weatherproof protection options:	Standard IP55: IP56 (direct cable) MG1 (Marine Grade 1): IP55
Dimensions (WxHxD):	D5-Ceiling: 170 x 193 mm / 6.69 x 7.60" Ceiling cut out: : ø 160 mm / ø 6.30"
Net weight:	4 kg / 8.82 lbs

\*Measured with pink noise 6 dB crest factor. Half-space loading.



## Other D-Series Related Products



### U12/12i

Ultra Compact Multipurpose

12" Subwoofer

**CODA AUDIO GmbH**

Boulevard der EU 6, 30539 Hannover, Expo Park, Germany

E-Mail: [contact@codaaudio.com](mailto:contact@codaaudio.com) Website: [www.codaaudio.com](http://www.codaaudio.com)



### U15

Compact Multipurpose

15" Subwoofer



### LINUS12C

4-Channel DSP Amplifier with

Loudspeaker Management

**CODA**  
CODA AUDIO

